

## 2MP 10X 4" Smart IR Starlight Network High Speed Dome

**FS-WD262-6102**



### FEATURES:

- ◆Support max 1920\*1080@30fps HD video output
- ◆H.264 encoding
- ◆Low illumination 0.01Lux/F1.6(Color), 0.001Lux/F1.6(B/W), 0 Lux(IR on)
- ◆10X 2MP UHD optical zoom auto focus lens
- ◆Support 3DNR, WDR, defog, HLC, anti shake, etc
- ◆Support 360° pan endless; tilt 0°-90°
- ◆Support manual speed: 0.1°-200°/S, preset:240°/S
- ◆256 presets, 4 pattern scan, 8 cruise
- ◆3D positioning, privacy mask, PTZ watch
- ◆Support Target Counting, Electronic Fence, Retrograde Detection, Off-site Detection, helmet detection, Face Recognition
- ◆1CH alarm input, 1CH alarm output, support alarm linkage
- ◆Support smart IR grouping control, IR distance can reach 80m
- ◆Support max 128G Micro SD card
- ◆SDK, ONVIF, API, GB/T28181 protocol
- ◆Lightning Protection, surging prevention, anti surge,IP66 protection level

### APPLICATIONS:

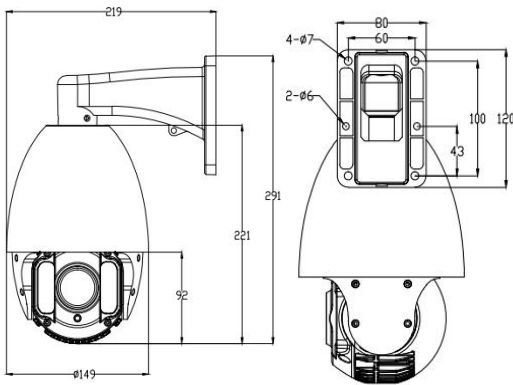
IR Network HD intelligent Dome various features make it can be widely used where required a wide range of HD quality image surveillance places, such as: rivers, forests, roads, railways, airports, ports, sentry, square, park, scenic

### SPECIFICATION :

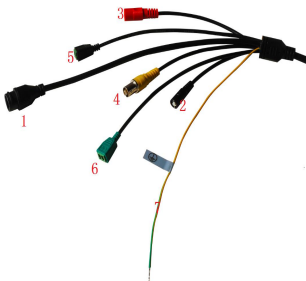
Model	<b>FS-WD262-6102</b>
<b>Zoom module</b>	
Image sensor	1/2.8"Sony 2.13M CMOS Sensor
Min. illumination	Color: 0.01 Lux@F1.6; B/W: 0.001Lux@F1.6, 0Lux(IR ON)
Effective pixels	2MP
Resolution	More than 1000TVL
Optical zoom	10X
Digital zoom	/
Focal Length	f=4.7mm~47mm
Iris	F1.6(W)~F3.0 ( T )
Angle Of View	60.9° ( Wide ) ~6.43°(Tele)
Zoom speed	1-10 level
Focus mode	Auto/ Manual
Focus area	Full area/center area
S/N ratio	> 50dB
Image adjust	Support brightness, contrast, saturation, Hue
White balance	Auto/Custom/Lock white balance / incandescent / warm / natural / fluorescen
Image mode	Standard/gorgeous/natural
Iris control	Auto/ Manual
Exposure mode	Auto face exposure/Manual exposure
Electronic shutter	Auto/ Manual (1/25~1/10000),FLK
Auto slow shutter	On/Off
Gain control	Lower/Low/Middle/High
BLC	Off/HLC/BLC
Dark	/
Exposure	/
WDR	TWDR/DWDR/Off
Day/Night	ICR switch, auto, color, B/W, ext.
Mirror	Normal/ Horizontal Mirror/Vertical Mirror/180° rotation
DNR	Off/ Low/ Middle/ High/ Higher
Defog	Off/ Low/ Middle/ High
Anti shake	Off/ Low/ Middle/ High
<b>AUDIO/VIDEO COMPRESSION</b>	
Video compression	H.264
encoding	
H.264 encoding	Base Line / Main Profile / High Profile
Frame rate	1~30fps /1920×1080 , 1280×960 , 1280x720 , 720×576
Main stream resolution	1920×1080(1080p) , 1280x960(960p) , 1280x720(720p) , 720x576 (D1) , 640x480(VGA) , 352x288(CIF)
Sub stream resolution	720x576(D1) , 640x480(VGA) , 352x288(CIF)
Triple stream	1920×1080(1080p)@10fps , 1280x960(960p)@20fps , 1280x720(720p)@25fps , 720x576(D1) , 640x480(VGA) , 352x288(CIF)
Output format	PAL/NTSC adjustable
Max. resolution	1920X1080
Video bit rate	Constant bit rate, Variable bit rate ( 16kbps-8000kbps )
Stream type	Complex stream/ Video stream
Audio compression	G.711u
Audio bit rate	64Kbps
Audio control	Input volume ( 0-100 ) , Input volume ( 0-100 )

spot, streets, railway stations, large gymnasium, Village outside, etc.

## DIMENSIONS:



## WIRE INTERFACE:



1. Network interface
2. Reset
3. Power supply
4. Reserve
5. Alarm input
6. Alarm output
7. Ground line

ROI	8 zones ( 1-6 )
Watermark	/
<b>FUNCTION</b>	
Pan range	360° endless
Tilt range	0°~ 90°
Manual control	0.1°~200°/s
Preset speed	240°/s
Preset accuracy	0.1°
Preset	256
Cruise	8 groups
Linear Scan	/
Pattern	4 groups
Continuous scan	Support
Proportion zoom	Auto
PTZ watch	Off/ Preset/ Cruise/ Pattern
Auto flip	Mechanical Flip
Power off memory	Support
3D positioning	Support
Magnification /	Support
IR irradiation angle	Automatically grouping adjusted, depending on the zoom ratio
IR distance	80m
Smart IR	IR irradiation brightness and angle can be adjusted depending on the
<b>NETWORK</b>	
Network protocol	IPv4, TCP, UDP, HTTP, HTTPS, SMTP, FTP, NTP, DNS, DDNS, DHCP, ARP, UPnP, R TSP, RTP, RTCP, IGMP, PPPoE, ICMP, SNMP
Access protocol	ONVIF GB/T28181
Browser	Support IE11
Video preview	8CH
User permission	User Add / Delete / Modify, Administrator/ Operator/Ordinary users
Safe mode	Authorized user name and password
Motion detection	Multi areas, multi-level sensitivity threshold optional
Tampering alarm	1 zone
Privacy mask	8 zones
Event linkage	Snapshot, TF card video, FTP upload or Email sending, alarm output
Multicast function	On/Off
ANR	Support, match with the NVR
Mobile surveillance	Support Android, Apple
Device exception	Support network disconnected, IP conflict, illegal access alarm
OSD	Title, time and date overlay, OSD color/size adjustable
DST	Support
System upgrade	Support online remote upgrade
Other	/
<b>AI</b>	
Face detection	detect 30 static or 10 dynamic face targets simultaneously
Recognition face	Face pixel $\geq$ 80 pixels
Posture	Capture within 20 degrees in vertical, within 20 degrees in horizontal
Face deduplicate	Support
Face quality	Support
Dynamic exposure	Support
Face database	Support built-in 10000 faces
Recognition area	Full image recognition, support zone optional setting
Upload mode	FTP , SDK function calling upload
Human and vehicle	Target Counting、 Electronic Fence、 Retrograde Detection、 Off-site
<b>INTERFACE</b>	
Network interface	RJ45 10M/100M Network Adaptive
Analog video	/
Audio	/
Alarm input	1CH input
Alarm output	1CH output
Reset	Support
RS485 port	/
TF card	Support Max 128G, Support NFR
Other	/

All Info. only for reference, please see the subject produce. Any change will not be notified.

<b>GENERAL</b>	
Protection grade	IP66
Operating	Outdoor: -30℃~50℃(Support 30 minutes delay to boot up under low temperature )
Operating	10 % ~90 % RH ( No condensation)
Power supply	DC24V/1.5A ( ±10% )
POE	Support, (IEEE802.3at standard)
Power	30W
Dimensions(mm)	291(H)*149(D)mm
Weight/PCS(g)	4kg

SHENZHEN FSAN INTELLIGENT TECHNOLOGY CO.,LTD.

URL : [www.fsan.cn](http://www.fsan.cn)  
TEL : 86-0755-28746736

E - mail : [marketing@fsan.cn](mailto:marketing@fsan.cn)  
FAX : 86-0755-28751242





