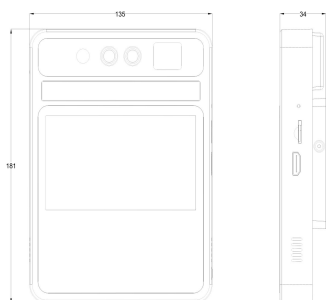
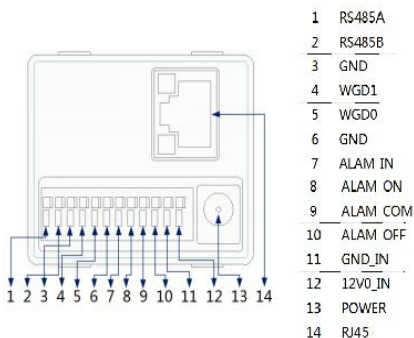

**FEATURES:**

- ◆ Integration of face capture, comparison function, infrared temperature measurement function
- ◆ Temperature anomaly alarm: non-contact body surface temperature detection within one second, detection distance 25-45cm, temperature error range  $\pm 0.5^{\circ}\text{C}$ , abnormal temperature linkage acousto-optic alarm and access control equipment
- ◆ Support living face detection, effective prevention of photos and video spoofing
- ◆ Face database can reach 10,000pcs, flexible face template import, support single, batch image file import and real-time capture import
- ◆ Provide query after login, set integrated parameters, view real-time monitoring and face comparison image
- ◆ Support face types of Visitors people, whitelist people, blacklist people, etc.
- ◆ Support recognize result linkage I/O, wigan port output, voice broadcast
- ◆ Can be widely used in access control channels, wall-mounting attendance and other scenarios.

**DIMENSION:**

**WIRE INTERFACE:**

**SPECIFICATION :**

| Param                        | Model | FS-FEW6133F04A   |
|------------------------------|-------|--|
| <b>Screen</b>                |       |  |
| Size                         |       | 5 inch, full-angle IPS LCD screen  |
| Resolution                   |       | 1280x720   |
| <b>CAMERA</b>                |       |  |
| Type                         |       | Design of double camera  |
| Sensor                       |       | 1/2.8" SONY starlight CMOS   |
| Resolution                   |       | 1080P@30fps  |
| Lens                         |       | 3.6mm*2  |
| White balance                |       | Auto   |
| Face exposure                |       | Support  |
| Mirror                       |       | /  |
| <b>ACCESSORIES</b>           |       |  |
| Complementary light          |       | IR light, LED white light  |
| Identity module              |       | Support ID card recognize module optional  |
| Loudspeaker                  |       | Support voice broadcast after successful recognition                               |
| Network module               |       | Built-in wifi Module   |
| <b>FUNCTION</b>              |       |  |
| Network protocol             |       | IPv4, TCP/IP, NTP, FTP, HTTP   |
| Access protocol              |       | RTSP   |
| Safe mode                    |       | Authorized user name and password  |
| Face recognition             |       | Support  |
| Event linkage                |       | FTP upload, alarm output linkage, wiegand output linkage, voice broadcast          |
| Remote upgrade               |       | Support  |
| Others                       |       | /  |
| <b>FACE RECOGNITION</b>      |       |  |
| Detection type               |       | Support living face detection, effective prevention of print photos, phone photos  |
| Face detection number        |       | 0.3-1.3m, support detection target size filter adjustment                          |
| Recognition face size        |       | Pupils distance $\geq 60$ pixels; Face pixel $\geq 150$ pixels                     |
| Face database capacity       |       | Support built-in $\leq 10000$ faces; support black/white list                      |
| Posture                      |       | Support side face filter, comparable within 20 degrees in vertical and 30 degrees  |
| Shelter                      |       | Recognizable with ordinary glasses and short bangs hair                            |
| Expression                   |       | Recognizable with slight expression  |
| Mask wearing test            |       | Support  |
| Capture/comparison rate      |       | Capture rate $\geq 98\%$ (meet the above conditions); Recognition rate $\geq 95\%$ |
| Response speed               |       | $\leq 1s$  |
| Face / card recognition      |       | Support 1:1 / 1:N mode   |
| Local storage                |       | Support storage of more than 100,000 capture and recognition records               |
| Recognition area             |       | Full image recognition, support zone optional setting                              |
| Upload mode                  |       | FTP, HTTP upload, SDK function calling upload                                      |
| <b>TEMPERATURE DETECTION</b> |       |  |
| Detect area                  |       | Forehead   |
| Temperature environment      |       | 0-30°C (advice 16-30°C)  |
| Scope of detection           |       | 34°C-42°C  |
| Error range                  |       | $\pm 0.5^{\circ}\text{C}$  |
| Voice broadcast              |       | Support face recognition broadcast and temperature detection alarm                 |
| Detection distance           |       | 25-45cm  |
| <b>INTERFACE</b>             |       |  |
| Network interface            |       | RJ45 10M/100M network adaptive   |
| Alarm input                  |       | 1CH  |
| Alarm output                 |       | 1CH  |
| RS485                        |       | Support  |
| TF card                      |       | Max.support 128G local-storage   |
| HDMI                         |       | Support  |
| Wiegand interface            |       | Support wiegand 26,34 protocol   |
| Reset                        |       | Support  |
| Tamper switch                |       | Support  |
| <b>GENERAL</b>               |       |  |
| Operating temperature        |       | -10C ~ 50°C  |
| Operating humidity           |       | 0% -90%  |
| Power supply                 |       | DC12V  |
| Power consumption (max)      |       | $\leq 12W$   |
| Dimensions(mm)               |       | 135mm(W)*181mm(H)*34mm(T)  |
| Weight /PCS(g)               |       | 500g   |
| Install type                 |       | X86 box embedded installation/desktop installation/floor mount installation        |

SHENZHEN FSAN INTELLIGENT TECHNOLOGY CO.,LTD.